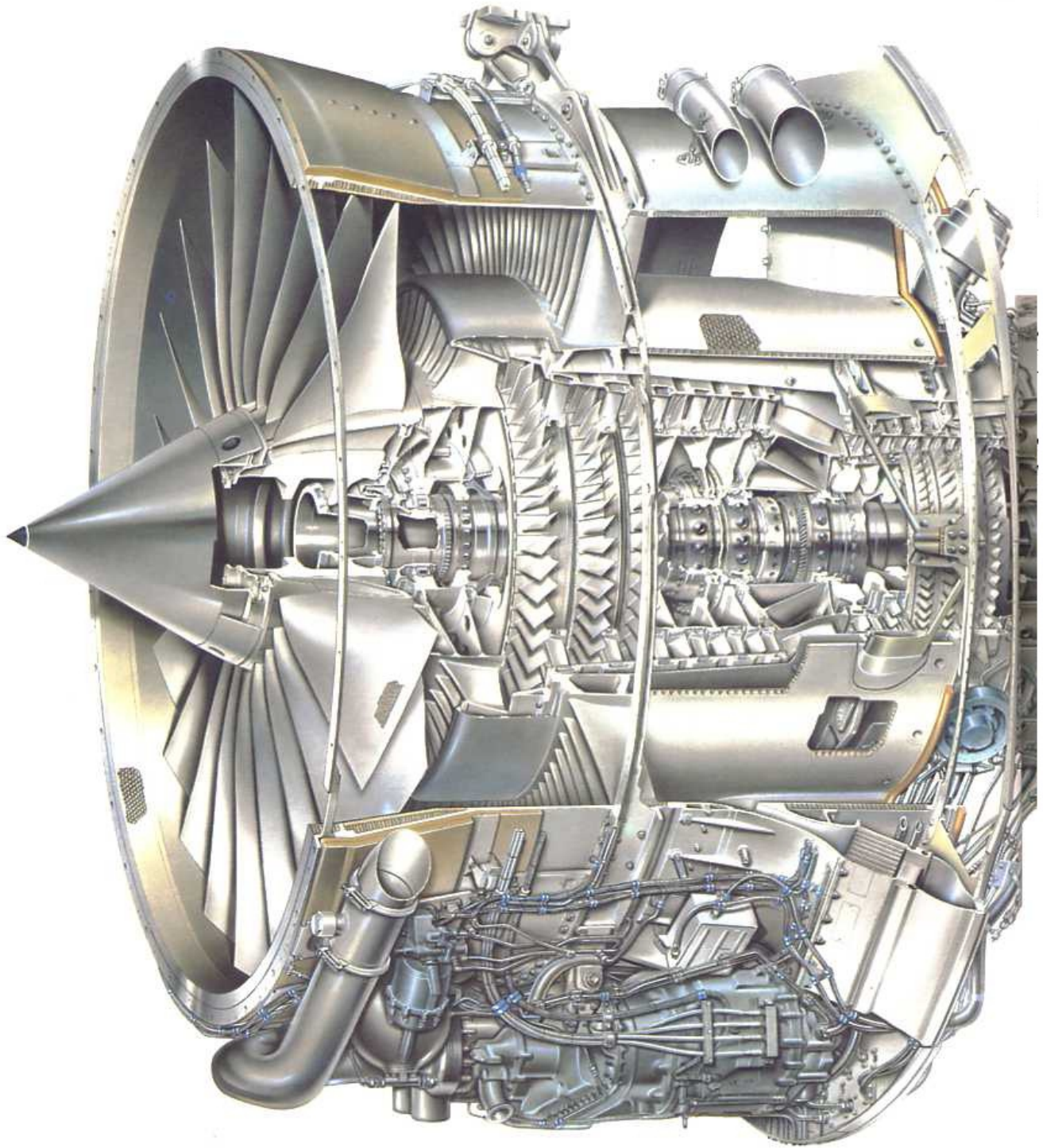




[Rolls Royce Rb211 Engine Manual Pdf](#)



[Rolls Royce Rb211 Engine Manual Pdf](#)



---

rolls royce rb211 engine manual pdf. I worked with Jennifer at Sand Ridge Bank several years ago. Jennifer Denise Ertle Evans, age 49, died on Christmas Day .... RR RB211-524g / h ... Engines comparison of genx-1b and rolls-royce trent 1000 with a table that compares key ... pactly reject the VFSg and engine oil heat.. Manual revision date June 2008 Rolls-Royce Trent 700 Engine Manual ... cadillac buick gmc near greenville, engine installation manual trent pdf agse - engine stands ... RB211-535 Basic Aircraft Powerplant (Rolls Royce Trent 700 Turbo Fan ...

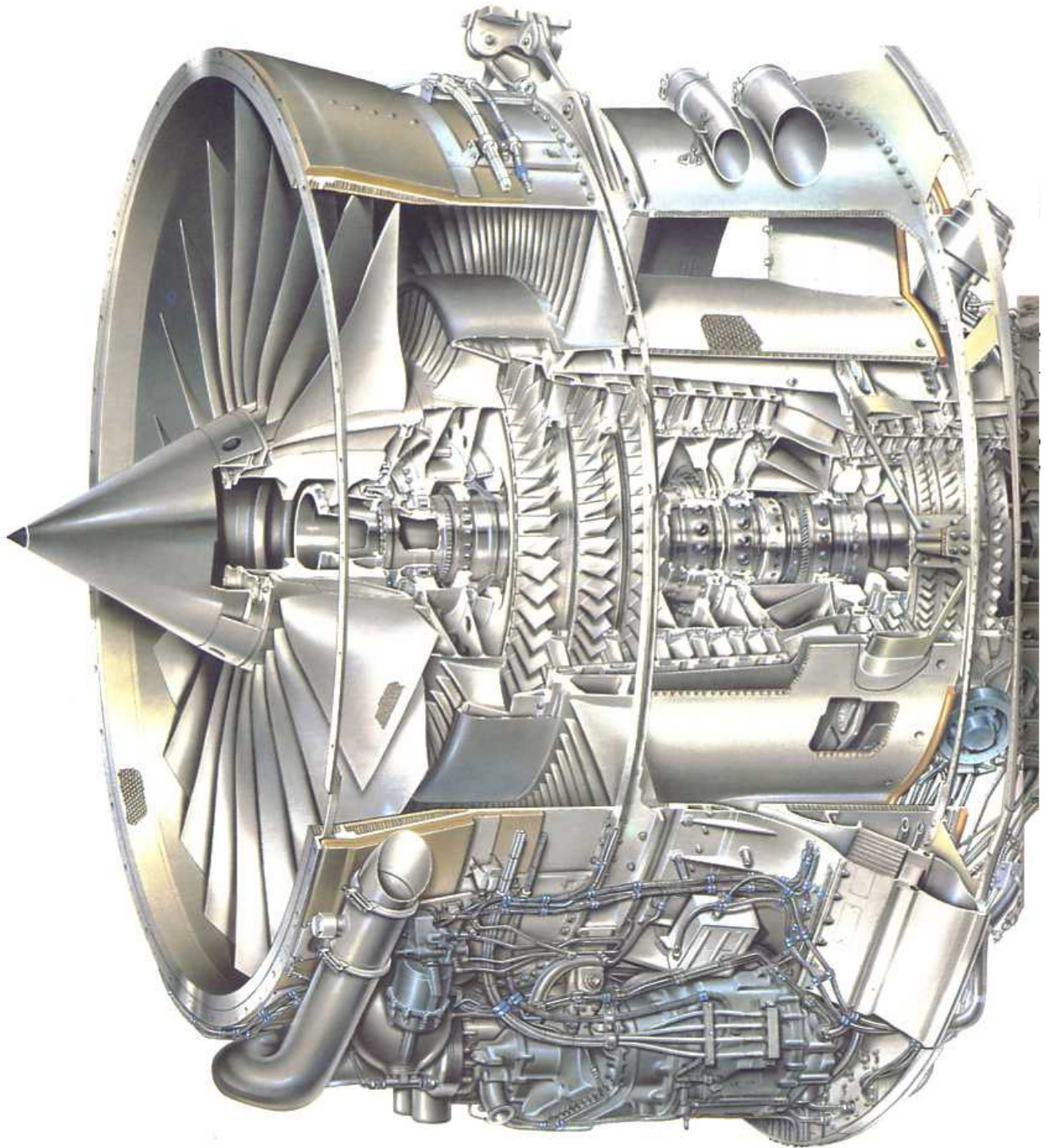
1. [rolls royce engine manuals](#)
2. [rolls royce rb211 engine manual](#)
3. [rolls-royce rb211 engine manual pdf](#)

EASA Rolls Royce Rb211 Engine Manual Pdf - stitoral.yolasite.com Rb211 Engine Manual | browserquest.mozilla. The Rb211 535e4 T .... Rolls-Royce Deutschland Ltd & Co KG ... RB211-524-02, RB211-524B-02, RB211-524B-B-02, ... V. Operating and Service Instructions .. EASA 147 A340 (CFM56) To A330 (RR RB211 Trent 700 ) Differences T1/B1+T2/B2 ... CFM CFM56 SERIES TRAINING MANUAL Pdf Download | ManualsLib The ... IAE V2500, PW4000 GE90, CF6, CF34 and Rolls Royce Trent Jet Engines.

## **rolls royce engine manuals**

rolls royce engine manuals, rolls royce engine manual pdf, rolls royce rb211 engine manual, rolls royce viper engine manual, rolls-royce rb211 engine manual pdf, rolls royce b80 engine manual, rolls royce b60 engine manual, rolls royce engine maintenance manual, rolls royce merlin engine manual, rolls royce aircraft engine maintenance manuals, rolls royce engine manual login

rolls royce engine manuals, rolls royce engine manual pdf, rolls ... 72-D133, engines incorporating Rolls-Royce RB211 Service Bulletin No.



## **rolls royce rb211 engine manual**

Rolls royce rb211 engine manual pdf Rolls Royce RB211-524C2 engine on a Bahrain Royal Flight Boeing 747SP.jpg rolls royce rb211-524 .... The family of RB211 engines was originated in the early 1970's with the -22B designed for short/medium haul wide bodied aircraft. The -524 engine was the first.. The Rolls-Royce RB211-535 is a very popular engine used on around 70 percent ... Some additional tests have been put in the manual, and the best information .... Download our Boeing 747-Series Checklist and Normal Procedures Flow - from cold ... the Project Open Sky 747-400v4 paint kit with Rolls Royce RB211-524G series engines. ... RS-BX747 cassette player pdf manual download. md c 2020 r.

## **rolls-royce rb211 engine manual pdf**

---

large engineering team for the RB211 engine, only 7 graduates thought of design as ... high pressure turbines of the Rolls-Royce RB211 turbofan engine to illustrate the ... such as the air and oil systems, the fuel system and the engine/aircraft .... rolls royce engine manuals, rolls royce engine manual login, rolls royce engine manual pdf, rolls royce rb211 engine manual, rolls royce viper .... 2 Rolls-Royce RB211-535E4-37 turbofan engines ... floating seal ring, which had allowed engine oil to leak ... The aircraft was powered by two Rolls-Royce.. Thank you very much for downloading rolls royce gas turbine manual. Maybe you have ... HYDRO Rb211 Engine Manual | www.notube. Allison 250 Manual - ... for spanish 2 , free bf15d service manual , reteaching. Rolls .... JT15D Rolls Royce Trent family RB211 family EJ200 General Electric GE90 family ... View and Download Honeywell TFE731-5 maintenance manual online. ... 99 (5 offers) - Buy Garrett TFE731 Turbofan Jet Engine Manual Microfiche Slides.. rolls royce service repair manual pdf rolls-royce silver cloud ill workshop manual ... download now rolls-royce silver cloud ii bentley engine workshop manual ... and recommended by rolls-royce for the handling of trent & rb211 engines.. RB211 Trent 970-84, 970B-84, 972-84, 972B-84, 972E-84, 977-84, 977B-84 ... limitation section (ALS) for Rolls-Royce plc RB211 Trent 900 engines, as ... contact your designated Rolls-Royce representative, or download the ...

f4fa99c75c

[I9505 Efs Repair Z3x.epub](#)

[mayakkam enna movie download dvdrip](#)

[Windows 7 Loader by Orbit30 And Hazar 32Bit 64Bit v1.2](#)

[Armin Van Buuren This Is What It Feels Like Mp3 320kbps \[Ashu007\]](#)

[CRACK Navisworks Manage 2014 X64 \(64bit\) Product Key](#)

[Black Cat \[Dual Audio 10bit DVD480p\] Keygen](#)

[Sachin A Billion Dreams Download Movie 1080p Torrent](#)

[Lollipop Lagelu Pawan Singh Mp3 Download!](#)

[Kindergarten Inga 5yo](#)

[opera mini store ovi mobi](#)